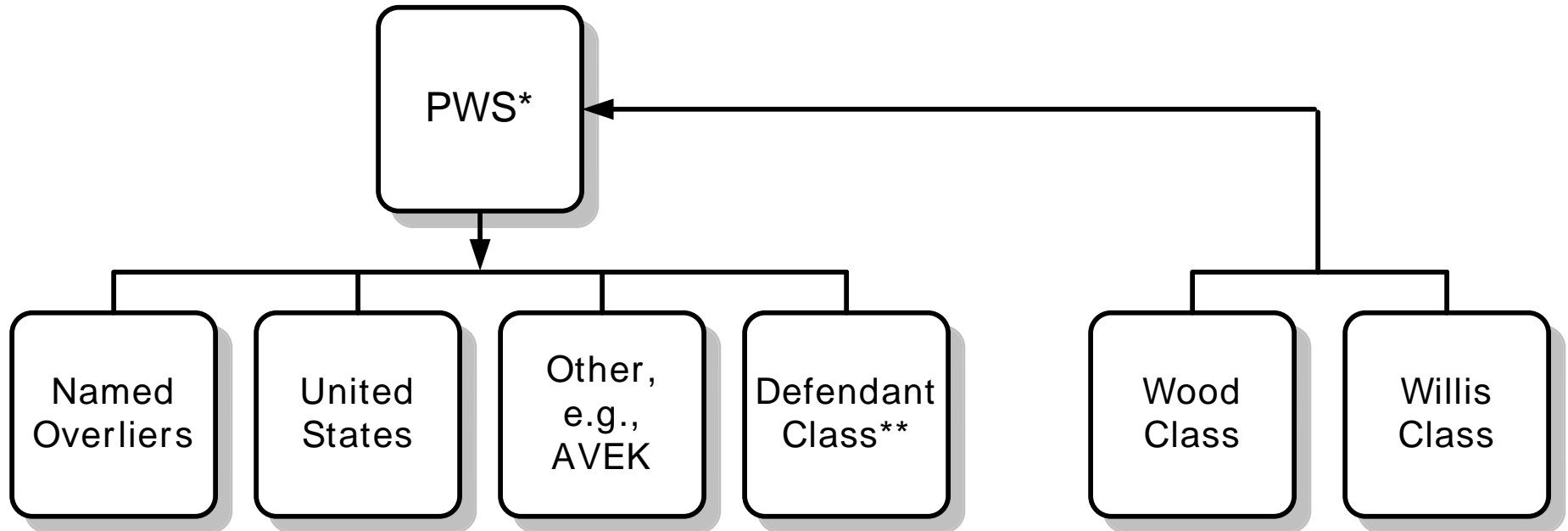


# PURVEYOR FIRST AMENDED CROSS-COMPLAINT IN COORDINATED ACTION 3-13-07



\* PWS CONSISTS OF CWS, COL, COP, LCI, LA 40 , PWD, PRI, RCSD, QHWD

\*\* DEFENDANT CLASS NOT YET CERTIFIED AND NOTICED

## GENERAL ALLEGATIONS OF CROSS-COMPLAINT:

"...judicial determination of rights to all water within the adjudication area..." P3, L7-8

"...appropriative and prescriptive rights..." P12, L26

## CAUSES OF ACTION:

- 1) Prescription v. All Cross-Defendants (except United States and Public Entities)
- 2) Appropriative Rights v. All Cross-Defendants
- 3) Physical Solution v. All Cross-Defendants
- 4) Municipal Priority v. All Cross-Defendants
- 5) Storage v. All Cross-Defendants
- 6) Return Flows v. All Cross-Defendants
- 7) Unreasonable Use v. All Cross-Defendants (except Public Entities)
- 8) Boundaries of Basin

## THREE OPTIONS TO CORRECT PROBLEM:

- 1) Complete Formation of Defendant Class
- 2) Add Existing Classes as Cross-Defendants to Purveyor Cross-Complaint
- 3) Dismiss Cross-Complaint